

The Restoration Age: From Eden to the New Jerusalem

By Orlando Mostert
Kingdomvision.co.za

God is in the process of restoring to us all that we lost of Eden. That restoration process entails recreating Eden, the Tabernacle of God on earth which scripture defines as the New Jerusalem.

Acts 3: 19-21

Repent ye therefore, and be converted, that your sins may be blotted out, when the times of refreshing shall come from the presence of the Lord; And he shall send Jesus Christ, which before was preached unto you: Whom the heaven must receive until the times of restitution of all things, which God hath spoken by the mouth of all his holy prophets since the world began.

You cannot understand the manner of Christ's return until you understand what happened in Eden. Christ is the second Adam to restore to us what we lost when Adam sinned.

In this study I want to give you a background on what the earth was like before Adam, the scriptural and historical evidences of a world collapse and the need for God's intervention of a "re-creation" and the ministry of Adam to a lost world. This background will help us understand the symbolism of the New Jerusalem, the importance of the dimensions of the city and its mission of restoration of all things. This restoration includes:

Restoring the presence of God on earth

Restoring the glory of the Lord in the earth.

Restoring access to the Tree of Life and conquering death.

Restoring long life and the glory of God in His people.

Restoring the ministry of Adam as God's ambassador on earth to reconcile mankind to the Lord

Restoring the ministry of healing the nations.

The story of Eden in Genesis 2 is mirrored in the last 2 chapters of the Bible: Revelation 21&22. The entire story of the Bible from Genesis 2 to Rev. 22 is the story of God's original creation purpose in Eden and how Adam lost that anointing and purpose. The consequences to mankind of that loss. God's program of restoring the ministry of Adam and Eden. Starting with Abraham, and then to Israel His vessel of restoration and blessing to the nations. The rebellion of Israel. The coming of the Messiah the second Adam and the launch of the church the new Israel and the New Jerusalem, the Bride of Christ, God's vessel to manifest His presence and glory in the earth and heal the nations.

Here is the important truth from this revelation:

Revelation 21&22, the coming of the Bridegroom and Bride, the New Jerusalem in the earth is not the end of all things. It is not the end of the story. It is the end of the beginning. When this restoration is accomplished...then the Lord can carry on with His original plan for the ages.

The Restoration Age

The Restoration Age : From Eden to the New Jerusalem

We are now moving to the “end times” of the Restoration Age. This is not the time of the end. This is the end of the beginning. God told Moses in Exodus: 25: 8

“Let them make me a sanctuary that I may dwell among them.”

The desire of God to have a sanctuary on earth is finally realized with the coming of the New Jerusalem...”***And I John saw the holy city new Jerusalem, coming down from God out of heaven prepared as a bride adorned for her husband. And I heard a great voice out of heaven saying Behold the tabernacle of God is with men and he will dwell with them and they shall be his people and God himself shall be with them and be their God.”*** Rev. 21:2-3.

You cannot understand Adam and Eden unless you understand the Second Adam and His tabernacle, the Church. You cannot understand the Second Adam and His bride the Church unless you understand Adam and his bride and their calling and work in Eden.

We are about to transition to God’s plan for the restoration of His presence on earth. We are about to transition as a Church to Adamic calling to “heal the nations”.

To help you understand the reality behind the imagery of gardens and rivers and city and Bride and trees and fruit....let me give you a background briefing on the historical Eden and the situation on earth at that time....and the job that confronted Adam. And then I will give you a unique insight into what the New Jerusalem really is all about and why the numbers are important.

The World Then Was

I want to introduce you to the idea of a world before Adam. A world that was destroyed. A world that Adam had to rebuild as God's High Priest and king. Because it is this great task that the church is facing in the future as this world falls apart and God calls us to be his kings and priests to build a new heavens and a new earth.

This is not a blog about the argument as to how old the earth is. I stand with many Christian scholars and great preachers to say it is vastly older than 6,000 years.

Spurgeon had no problem with that. In a sermon on 17 June 1855 he said: *"We do not know how remote the period of the creation of this globe may be – certainly many millions of years before the time of Adam. Our planet has passed through various stages of existence, and different kinds of creatures have lived on its surface, all of which*

have been fashioned by God."

Here is what I want to introduce you to that you may have a better understanding of the calling and ministry of Adam and Eve: There was a worldwide catastrophe in about 9,500 BC that is supported not only by archaeological records but scripture as well. And this was not the flood of Noah which took place about 2200 BC. There was a major earth catastrophe that not only caused planet wide destruction but devastated humanity of that time....and it was the job of Adam and Eve to "replenish the earth" and bring God's government and salvation to a devastated earth

Earth Catastrophe....

In this short chapter I cannot go through all the archaeological proofs of an earth catastrophe. My reference books here that I have used for those who want to study this further are "When the Earth Nearly Died: Compelling evidence of a

The Restoration Age

catastrophic world change 9,500 BC" by DS Allen and JB De Lair; "The Day Behemoth and Leviathan Died" by David Allan Deal; "Earth's Shifting Axis" by Mac Strain. For those of you reading Graham Hancock's books his latest "Magicians of the Gods" deals extensively with this as well as giving extensive proof of an ancient world civilization collapse around 10,000 BC.

The well known story of the Siberian mammoths, large hairy pre-elephant type creatures who are trapped in ice is indicative of this great catastrophe. What was found in their mouths and stomachs were flower edibles that cannot grow in the cold Siberian waste. All indications are that they were in a warm wet climate zone when they were almost instantly engulfed in a icy snow super-storm. And this was not the flood of Noah as Carbon 14 tests show a time thousands of years before Noah's timeline.

Ancient records show human settlements going back before 10,000 BC. There is no dispute about this and there is no need for Christians to get into an argument with the scientific community on this. What these records also clearly show are two things:

- there was some great earth wide catastrophe about 10,000 BC.
- that about 4000 BC there suddenly appeared the start of human civilization of cities, farming, writing etc. Whereas before this mankind was composed of a groups of wandering stragglers living as roaming hunter gatherers.

And that is precisely the time that Adam makes his appearance on earth! And that is where the Bible starts its story of the beginning of God's redemptive work of a lost humanity.

This lost humanity is incapable of fulfilling its divine mandate to take dominion over the earth unless and until there is an Adam/son of God present to bring God's law on earth and bring man into fellowship with God!

The Testimony of Genesis....

Now lets dig a bit deeper into scriptures to under-

stand "the world that then was"...

Genesis 1:1 ***"In the beginning God created the heaven and the earth".***

This is well known and accepted. However the issue that needs examining is verse 2:

"and the earth was without form and void and darkness was upon the face of the deep. And the Spirit of God moved upon the face of the waters."

We do not have a proper understanding in our English translation of this verse. This is exemplified by Isaiah 45:18 directly contradicting Genesis 1:2. In Isaiah 45:18 the Lord Himself describes how he made the earth at the beginning:

"For thus says the Lord that created the heavens; God Himself that formed the earth and made it; he established it, he created it not in vain, he formed it to be inhabited: I am the Lord and there is none else."

When God originally created the earth He created it to be inhabited. He did not create the earth vain" (Hebrew word "Tohu" Strongs 8414) the same word as "without form" in Genesis meaning "a desolation".

The answer to this contradiction is found in correctly interpreting the phrase "the earth was without form and void". The word "was" here is Strongs 1961 and is better translated as "became". God created the earth in Genesis 1:1 complete and beautiful to be inhabited. The earth then "became void and without form" or not fit for human habitation. Then the Lord proceeded to recreate the earth as described in the rest of Genesis 1.

The prophet Jeremiah saw this destruction of the world before Adam:

Here is what Jeremiah 4:23-27 says of that catastrophe...(Jeremiah is seeing a vision of the earth of Genesis 1:2 when the earth became desolate)

"I beheld the earth and low it was without form and void ; and the heavens and they held no light. (The dust and debris cloud blocking the

The Restoration Age

sun). *I beheld the mountains and behold they trembled and hills moved lightly* (massive world earthquakes from the meteor strike). *I beheld and lo there was no man and the birds of heaven were fled. I beheld and lo the fruitful place was a wilderness and all the cities thereof were broken down at the presence of the Lord and by His fierce anger. For thus said the Lord, The whole land shall be desolate yet I will not make a full end"*

The Lord did not make a full end of it. He recreated the desolate earth. He gathered the stragglers of humanity and gave them a high priest/ king, called Adam to bring them back to God and to help them to fulfil their creation mandate...replenish the earth and take dominion over all the works of God's hand.

We do not know how long back the original creation was. The Bible does not tell us how far back the Lord God created the races of mankind. But He created them and breathed His Spirit into them

We do know from Biblical time line that Adam and the Garden of Eden, God's earth administrators were created and installed about 6000 years ago according to the Masoretic text and according to the Septuagint text that Jesus and Paul read the time line to Adam was about 7,500 years ago (which I think is the more accurate text.)

How did it become a waste and wilderness. Well all the writers I referenced think a mighty meteor struck somewhere in the arctic and the intense enormous energy of this meteor hit caused a huge flooding of the earth as the arctic ice cap melted and then the debris from this meteor strike spread over the earth atmosphere blocking out the sun causing darkness over the earth and a major freezing event very quickly. Actually fascinating when you go into the details.

It also makes a lot of sense of Genesis 1 where the darkness had to be dispelled, the resulting ice cap stretching over a lot of the earth had to be removed *"and let the firmament divide the waters...etc"* Giving the idea of the ice cap of waters to be removed from the earth back into the atmosphere etc.

While the "what and how" of the catastrophe is very interesting from a scientific point of view....the result for the remaining stragglers of humanity was that they congregated near the warmer areas of the Middle East living a miserable hunter gatherer existence. Until God sent a saviour "Adam who was the son of God" because there was no knowledge of God and "there was no man to till the ground".

Why the catastrophe? Well we are not given the reasons. But we can make reasonable inferences. By the time of Adam's creation we know that Satan was already in rebellion against God. I believe that there are enough indications for us from various sources to think that before Satan's rebellion he was a glorious Archangel with an extensive domain under his rulership.

We also are told in scripture that when Satan rebelled there was war in heaven and Michael and his angels fought against the great dragon Satan and his angels and cast them out of the heavenlies. I believe this catastrophe that hit the earth was part of that war. The war in the heavenlies against Satan's rebellious kingdom was not only here on earth but there are evidences of destruction in our solar system. Many scientists are convinced the asteroid belt between Mars and Jupiter is where a planet used to be that exploded and left a massive debris field of asteroids. Your best reference for this is the astronomer Dr. Tom van Flandern's book "Dark Matter, Missing Planets and New Comets". A fascinating scientific research into the exploded planet hypothesis.

Now here is a further controversial idea.....

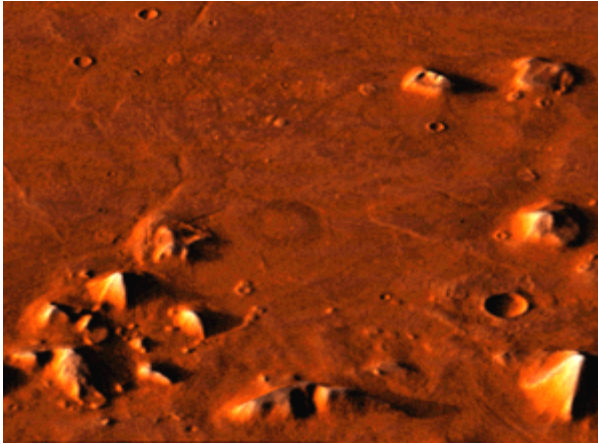
Then there is Mars....

I have for years been following Richard C. Hoagland's work after reading his monumental book "The Monuments of Mars: A city on the edge of forever." Perhaps by now you have seen the famous photos of the Viking pictures of the face on Mars and the pyramids and structures that look like cities on Mars.

But Mars is very intriguing to NASA scientists because the evidence is now accepted that Mars once had not only an atmosphere but flowing riv-

The Restoration Age

ers and waters. meaning it was a lot warmer in times past with an atmosphere that could retain heat to allow water to flow. But Mars also shows evidence of some kind of major catastrophe that struck it.



The "Face" and Pyramids of Mars

This is my Eden Hypothesis: (I can be wrong in some of my ideas....)

1) Eden was a real place.

British archaeologist David Rohl who believes Genesis in the Bible is an account of real people and real places says the following in his book "Legend: The Genesis of Civilization" (p.72) "The Garden of Eden has been located. It lies at the western end of the Adji Chay valley near the city of Tabriz...it is protected on its north, east and south sides by the mountain peaks of the Savalan and Sahand ranges...the Adj Chay has an older name - the Maidan- which means "walled garden"...the four rivers that flow from Eden are the Euphrates, the Tigris, the Gaihun-Aras (Gihon) and the Uizhun (Pishon)...to the east of the Garden the valley gradually ascends to a mountain pass which is the eastern gateway into Eden and beyond in the Ardabil basin lies the land of Nod - the destination of Cain's exile."

2) The time element.

Using the Bible's own internal time line (here I refer to the Masoretic text and not the Septuagint) the time of Adam was about 3895 BC. I accept this time line to be true in my hypothesis (although the Septuagint gives a slightly longer time line)...which also then forces me to evaluate who and what Adam was.

3) The two trees in the garden were persons.

I consider the two trees in the garden, the tree of life and the tree of the knowledge of good and evil to be allegorical hiding a deeper truth. I believe the two trees to be two persons. The one was the pre-existent Lord Jesus Christ in body form fellowshipping with Adam and Eve. The other was the fallen archangel Satan. Supporting scripture?

Proverbs 3:18 tells me "wisdom is a tree of life" and tells me in Prov. 8 'I wisdom created the world..' meaning that since Jesus Christ is the wisdom of God and created the world then He was indeed the "tree of life" in the garden. And in Ezekiel 28:13 we read of the fallen cherub "thou hast been in Eden the garden of God". Hey folks get real...it wasn't an apple tree!

4) There were two creations of man.

I do not believe Adam was the first man on earth. I believe that the Lord made the various races and peoples of the earth as described in Genesis 1. Nothing there in scripture precludes the fact that the Lord created mankind in Genesis 1 as Caucasian, Negroid, Chinese etc just like he created every specie on earth with differing looks within that species. I believe the Adam- man created by God in Genesis 2 was a different creation with a different calling and anointing.

5) I believe there were different people, tribes, and races on the earth in 3895 BC. They did not come through evolution. They were created by God as all things are created by God. I do not know the time element of when or where God created the various races and peoples of the earth. But both the historical record as well as the archaeological record show that by the time Adam was on the earth there were people on the earth. Which is why Cain could leave the Eden area and go to the land of Nod and find a wife and build a city with a large population of people already there.

6) I believe the Eden people were qualitatively different to other people.

I believe the Bible account of Adam and Eve and their descendants living for 900, 800 or 600 years. I also believe that prior to the 19th century the average lifespan of mankind throughout history

The Restoration Age

was about 46 years. As Thomas Hobbes said, man's life is short, brutish and nasty. But I believe there was something about Eden that made all the difference. I believe Adam and Eve were exposed the manifest glory and presence of God on earth. That same glory that appeared to Moses. That same glory that made Moses face shine and cause him to be rejuvenated in his body so that even at age 120 he was full of youthful strength according to his own testimony.

I believe all those of Adam and Eve's descendents who lived in proximity to Eden and exposed to this glory felt the effects in their physical bodies causing them live hundreds of years. I believe that is why Genesis 3:23-24 says that God placed Cherubim at the entrance to Eden to prevent people from approaching the presence of God "lest they live forever".

I believe the flood of Noah wiped out Eden and removed the presence of God and that is why after the flood the ages of mankind dropped drastically.

7) Adam and the Melchizedek Priesthood.
The Bible tells us that Christ is a High Priest after the order of Melchizedek. Melchizedek (who was probably Shem, the son of Noah) was the Priest/King of Jerusalem to whom Abraham paid tithes. I believe that Adam was also a Melchizedek High Priest on earth. Eden was God's special temple grounds on earth where He walked and talked with Adam His representative on earth. Adam had the role and ministry given to him by God to disciple the people of the earth. To bring them the knowledge of God and the laws and the ways of God in order for them to fulfil their destiny to take dominion over all the earth.

I take note that prior to the Reformation and the proclamation of the Reformation revelation of the Word of God and the restoration of the Priesthood of the believer the history of mankind for thousands of years was endless miserable toil on the earth with no knowledge or ability to take dominion over the earth in order to make the earth fruitful and productive. That was lost with the fall of Adam along with salvation and the knowledge of the Lord. But as the gospel of Jesus Christ and the Word of God has spread over the earth so has

blessing and prosperity and dominion over the earth been made possible to fulfil the Genesis 1:26-28 mandate for all of mankind....all this happened after the Reformation of 1517 AD.

8) I believe the folklore of the ages have glimpses of Adam and Eden in them.

All the fables of mankind have memories of Eden in them. The Greeks are prominent in this regard. They speak of Mount Olympus the place of the gods. Others of Valhalla. And certainly to the people of the earth those who lived and came from this place called Eden must have seemed like gods to them. They were powerful, intelligent, lived hundreds of years...they were revered as gods.

The Greeks speak of Zeus who lived in Olympus who rebelled against his father Chronos which sounds like Adam's rebellion against his father God. They speak of the god Prometheus who gave man forbidden secrets and was cursed, much like the serpent who promised secrets to Adam and Eve. They speak of the mighty Titans, the war against the giants much as Genesis 6 speaks of the appearance of the gods on the earth (fallen angels) who sired a race of giants.

There are many tales among Babylonian, Sumerian, Hindu legends etc. In the Babylonian and Sumerian legends they had a great goddess called Ninhursag whose title was "mother of all living" the great mother earth goddess. The writer of Genesis writing about 3,000 years after Eden tells his readers that Eve actually was this same great goddess "the mother of all the living" He did not as evangelicals assume to say that all humanity came from Eve...it was a title (like George Washington, "Father of the Nation"). To the ordinary people of the earth these refugees of Eden were not just like gods...they were worshipped as gods!

The one I like best are the Greek stories about Eve. They called her Athena. (or Pallas Athena). The ancient Greek poet wrote a hymn to her (Hymn 28 to Athena) that said:

"I begin to sing of Pallas Athena the glorious goddess, bright eyed, inventive, unbending of heart, pure virgin, saviour of cities, courageous, Tritogeneia. From his awful head wise Zeus him-

The Restoration Age

self bare her arrayed in warlike arms of flashing gold and awe seized all the gods as they gazed."

To the ancients Adam and Eve and their descendants were gods who would mingle with men. Athena (Eve) was the goddess of wisdom, civilization, warfare, mathematics, strength, art, law, justice and weaving. She was not born...she sprang fully grown from the head of Zeus (Adam). Here we see the references to the Genesis story with different names. Eve fully formed from Adam's side....Athena from Zeus's head. Prometheus (the Serpent) who gave men the gift of fire and knowledge of mysteries was the one who struck the head of Zeus to make Athena come forth.

Her name gives us a further clue. In Greek Athena comes from "a" and "thanatos" meaning "not" and "death" or Satan's promise "you shall not die" which Eve being deceived really believed. The Greeks built a temple for her on the Acropolis (the mountain in Athens, what the Bible calls a "high place".) in Athens (a city named for her) and called the temple the Parthenon which means "temple of the self-born virgin".

Athena the Bright Eyed One...

Athena also has a very important description as **"the bright eyed one"**. That is she had her "eyes opened" by the Serpent (in Hebrew the "Nachash", the enchanter). Now this is very important! Remember that the Bible says that **"rebellion is as the sin of witchcraft"** (1 Sa.15:23). Eve was in rebellion and in deception. To have your "eyes opened" in occultism is to receive a spirit of divination. With a spirit of divination comes the ability to be like the gods, "to know good or evil" or the ability of fortune telling...what is in your future, is there good or evil for me?

9) I believe the fall of Adam and Eve had nothing to do with eating a fruit.

Now here is where things get very strange. The fall of Adam and Eve by Satan, the "enchanter...the Nachash" (it was not a snake folks) was a process of seduction and initiation into the realms of the hidden powers of the second heavens (the powers of the "air") by which they

can access secret wisdom. This access into occult powers would enable them to be like God "to know good and evil" i.e. a spirit of divination to know if the future held good or evil. He also promised to make them "wise". which is secret wisdom whereby they can manipulate with occult powers the world around them. By this seduction and initiation into the high realms of occult power, Adam and Eve opened a gateway for Satan's entry into the world (which is why Paul says "by one man sin entered into the world") and God therefore banished Satan to the earth ("you shall eat dust") as his punishment (and therefore Satan's curse and vow in Ezekiel 28 "I will rise again...") A lot here that needs detailed explanation!

10) I believe this fall in Eden closed the gateway to eternal life for all mankind and death passed to all mankind. That means that God's plan for Adam was that he would disciple mankind in the ways of God and then when people have done the work and lived the lives God called them to live His plan was that there was a doorway in Eden to paradise where they exit this world in a twinkling of an eye and put off this flesh body and receive their heavenly garment. Death was never God's exit plan out of this world into the next. But Adam's sin closed the door for mankind and so



Athena (Eve) her statue that once stood in the Parthenon. Wrapped around her feet and spear....the snake Nachash. The demon Nike in her hand, god of victory.

The Restoration Age

11) I believe that everything we lost with Adam and Eve in their rebellion in Eden will be restored to us in Christ. I believe that God is raising up His church to be the new Temple of God, the New Jerusalem, the new garden of Eden where God once again in His glory manifests Himself on this earth. I believe that is what Rev. 21-22 is all about - a restoration of Eden on earth. Not a different universe, not a earth without problems or sinners. But an earth where we get back to our Adamic calling of discipling the nations of the earth into the kingdom of God. I believe that on the way to that reality we will have to close the gates of hell that Adam opened up and send Satan and his fallen angels and demons into the lake of fire and perform an exorcism of this earth.

But I also believe that we will once again be able to offer mankind an alternate exit out of this world. Be filled with the Spirit of God, walk in His ways, fulfil God's plan for your life, live in prosperity and blessing for hundreds of years, enjoy the fruits of your labours...and at the end of your time here on earth go to your local temple of God where His power and presence is manifest, say goodbye to friends and family and walk into glory...changed in the twinkling of an eye!

So let's have a closer look at the vision of the New Jerusalem that John sees in Revelation 21 and 22. There are numbers here that need explanation, mysteries that need exploring....and let's see how this city types Eden.

The New Jerusalem and the Healing of the Nations

Preachers and theologians really don't know what to make of the whole of Revelation 21-22...the last two chapter of the Bible and the great vision that John had of the city of God, the New Jerusalem. If only he had not given its dimensions....12,000 furlongs on four sides and same height high. I cube of 12,000 furlongs. Let me give you a drawing and a picture to get the idea of the problem:

Below is the size of the New Jerusalem in relation to the earth which according to Revelation is a 1500 mile cube coming down from heaven.

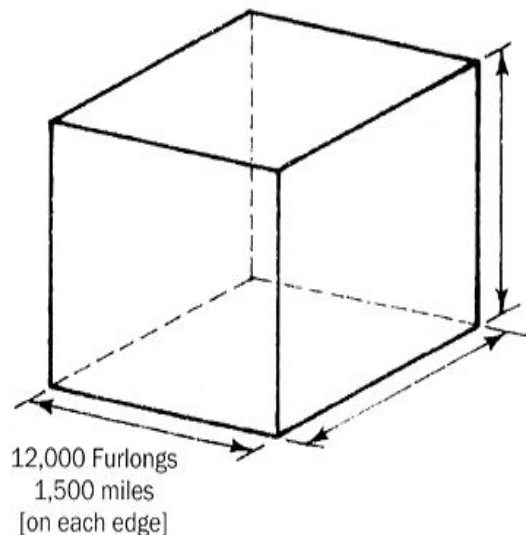


© Can Stock Photo - csp4764371

Why the dimensions? If it is an actual city coming down on earth it really does not make sense. We know that after about 7-8 miles high there is not enough oxygen to breath so who is going to live in it? And if you actually place it on the earth then the earth would just not be able to rotate properly.

If you say well it is not meant for physical humans, it is meant for spirit beings, then I say -Spirit beings already have a vast 2nd heaven paradise and besides that it is far too small for the billions of God's heavenly hosts who in any case are gathered around the throne of God in the 3d heavens.

And that is not the only problem. Some people say



The Restoration Age

well this is the new heaven and earth that God is going to create after the Millennium and it will be paradise.

But that can't be because here is what Rev. 22:14-15 says is outside the gates of the city:

“Blessed are they that do his commandments that they may have a right to the tree of life and may enter in through the gates into the city. For outside are dogs and sorcerers and and whore-mongers and murderers and idolaters and whos-ever loves and makes a lie”

So this is not paradise in heaven because outside the city are a lot of sinners. And not just sinners. Rev. 22:2 says there are wonderful trees of fruit inside the city whose leaves “are for the healing of the nations”.

So there are not just sinners but nations of sinners outside the gates and they needs healing!

And that is a very important and confusing problem for theologians studying this section of scripture because John says there is a river of life flowing from the city and the "tree of life in the city...and the leaves for the healing of the nations".

Can you see the problem? If you are one of the majority of the evangelicals as I was that what is next in God's agenda is the rapture and then the great tribulation, then 1000 years of Christ rule on the earth, then another world wide Armageddon then the destruction of the earth by fire and the resurrection of all the dead and the Great White Throne judgement and all those not sent to the lake of fire come back to earth and then a new heavens and a new earth with the New Jerusalem coming down from heaven and we all live there for eternity in bliss in our glorified bodies.

Can you see the problem with this time line? After all that 1000 year rule of Christ and the resurrection etc, how is that even in a new heaven and a new earth and the New Jerusalem sitting on the new earth, how can there be evil sinners around the city, how can there be nations that need healing?

Can you see this entire prophetic timeline is wrong...for a very simple fact, we are now surrounded by people who need saving with the fruit from the tree of life and we now have nations that need to be healed with the leaves from that tree and we now need that river of life from the city to flow to the barren wastes of planet earth!. Not a thousand years from now.

The Secret of the City Dimensions

Now let me give you a very important insight about the dimensions of the New Jerusalem to answer the question I started with....Why would God give John the dimensions of 12,000 furlongs on a side?

Well consider who the letter of Revelation was written to. To the seven churches in Asia or what we today call Turkey, on its coastal region. This whole region was part of the Roman empire on its eastern frontier region. Now look at the picture above of the size of the New Jerusalem in relation to the earth...about 1500 miles. For a Roman citizen in 1st Century Roman empire and a member of one of the 7 churches reading this letter those dimensions were very interesting....12,000 furlongs just cover the extent of the Roman Empire 12,000 furlongs north to south and 12,000 furlongs east to west.

So our good brother Christian in the city of Ephesus is reading this incredibly prophetic vision from the dear apostle John from captivity on Patmos, during a time of Roman persecution of the Christian church and here are the important things that he sees here:

- The city of Rome and its empire is destined to fall and the city of God, the New Jerusalem will spread across the empire of Rome.
- But the other very important message to our gentile Christian brother is this amazing prophecy about Jerusalem...there is a New Jerusalem coming because the old Jerusalem is going to be destroyed.

Now here I need to make a very important comment about prophetic confusion. John was writing this letter during the persecution of Nero of the Christians. We know this because the 666

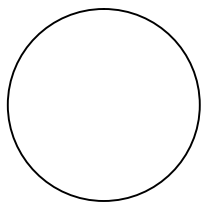
The Restoration Age

number mentioned cryptically in the book was a number in Hebrew making up Nero's name. You just cannot openly in a letter for everyone to read spell out Nero is an Antichrist!

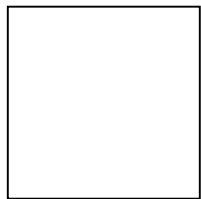
I am not going into a lengthy exposition of Revelation but an important warning in this prophetic book is the coming destruction of Jerusalem which would take place in 70 AD after a 3.5 years of war or 42 months from 66 AD to 70 AD just as Revelation prophesied it would. Meaning the book of Revelation was written before 70 AD during the terrible persecution of the Christians under Nero from 66 AD after the burning of Rome which Nero accused the Christians of.

This by the way supported to huge theological battle that Paul waged against the Jerusalem church under the leadership of James the brother of Jesus who were sending out "Judaizers" who were saying you must become a Jew to be part of God's new covenant because the Messiah was coming back to destroy Rome and establish His kingdom in Jerusalem. This preaching was confusing the Ephesians and the Galatians and all the other churches of Asia. But when Jerusalem fell and was destroyed in 70 AD they remembered the prophecy of John and the preaching of Paul...God's kingdom is to be found in the New Jerusalem and it will grow to fill the Roman empire!

But there is also an amazing message to our modern day in the dimensions of the New Jerusalem.



The earth's average diameter: 7,920 miles



The New Jerusalem 12,000 furlongs is 7,920,000 feet.

The 7,920,000 feet to a side of the New Jerusalem looks amazingly symbiotic to the average diameter of the earth of 7,920 miles.

That gives me a vision of the whole earth encased in the New Jerusalem!

Folks we are facing a similar time today as the Christians that John wrote to. We are once again in prophetic confusion.

The evangelical church cannot see the New Jerusalem. They are obsessed with the Old Jerusalem. They do not believe we can heal the nations. That is for the future, that is for the Millennium Kingdom, that is for Jesus when He comes, that is for the elect Jews, that is for one day in a new heaven and a new earth still more than 1000 years in the future. And so we sit and wait. And wait. And wait. When is Jesus coming?

I need you to understand something very important here if you are going to make a difference in healing our land.

Jacob had an encounter with the reality of the New Jerusalem. He saw the house of God and the gate that opens between that realm and our realm. And here is the important discovery...the New Jerusalem is all around you and you don't have to try to find the gate to the city of God, the house of God. You are the gate between the spirit realm of the house of God and the world around you.

Jacob goes to sleep with his head on a rock. In the night a frightening thing happens" Gen. 28:11-19 In his dream he sees a door and a ladder to heaven and angels ascending and descending and the Lord God at the top who speaks to him and prophecies his destiny and purpose of life to Jacob. Jacob wakes up frightened and says

"Surely the Lord is in this place and I knew it not. how dreadful is this place this is none other than the house of God and this is the gate of heaven."

The Restoration Age

Eden and the New Jerusalem

Now read for yourself again the two chapters of Rev.21 and 22. Can you see something amazing there:

- there is a river flowing through the city just like Eden with four rivers flowing out of it.
- there are fruit trees for the healing of the nations just like Eden where there were trees with fruit for Adam to tend..
- there is tree of life there just like in Eden which also had the tree of life (which is Jesus!).
- there is an angel standing at its gate preventing entrance to those who are not allowed there. Just like in Eden after the fall when God placed a Cherub at the entrance to prevent the unrighteous from entering.
- and most importantly the Lord is there as in Eden.

Where have you read this before? You read it in Genesis, the garden of Eden. Rev. 21-22 is the restoration of Adam's ministry in Eden to the nations around him. He lost that ministry and the gate was closed to mankind. But the second Adam, Jesus Christ has restored the Eden reality and the Eden ministry to us.

So our first step that I want you to take on our road to healing our land is the following:

- Throw out all your preconceive eschatology and false teachings about the end of the world and everything teaching that denies that we can actually heal our nation.
- Believe that the New Jerusalem has come and is now all around us.
- Believe that we have the keys to open the gates of the New Jerusalem and the angels that guard the gates and entrances to the city of God will allow you entrance any time you wish to enter.
- Believe that inside the city is the book of life and there is a chapter there on your life, your destiny. Go in and ask to see the books, live your destiny!
- Believe that you are one of the "kings of the earth that bring their glory into the city". The Bible says the Lord has crowned you with glory and honor You have the glory of victories for the kingdom to bring into the city and you are hon-

ored to be able to present these personally to the King of kings. You are more than a conqueror.

- Believe that the time for the ministry of the New Jerusalem to manifest itself is now...not in a 1000 years.

- Believe that all the problems in the world around us have a solution from the city of God. We have a river of living water for the thirsty world we have the sword of the Spirit, we have the answers and we have the anointing to change the world.

-Believe that your angels are on assignment around you and are constantly in and out of the city of God on your behalf bringing you the resources and help and strength you need to fulfill your destiny and the work that lies ahead.

Building the New Jerusalem

At the end of the book of Revelation 22:17 you have "the Spirit and the Bride say come". The Bride here being the new Jerusalem which is in actual fact the Church, the Bride of Christ, the Temple of God.

Scripture says the Bride had made herself ready. Ready for what" Ready for the Lord Jesus to come and take residence. Ready for the coming of the Parousia of the Lord...the Presence of Christ on earth in His New Tabernacle on earth.

That process of the Bride making herself ready has been a 2000 year process of discipleship. John shows us that the foundation of the city is the prophets and apostles. That foundation has already been laid. Jesus being the "Chief Cornerstone" or the Capstone of the Pyramid City.

Each one of us are called to build the walls and extend the wall of the city to encompass more territory for the Kingdom.

Paul tells us that we are to build with gold, silver and precious stones. That is what the city and its walls are made of.

The much spoken of "marriage supper of the Lamb" is our fruits and leaves from the tree of life and the living water flowing from the city for the healing of the nations.
